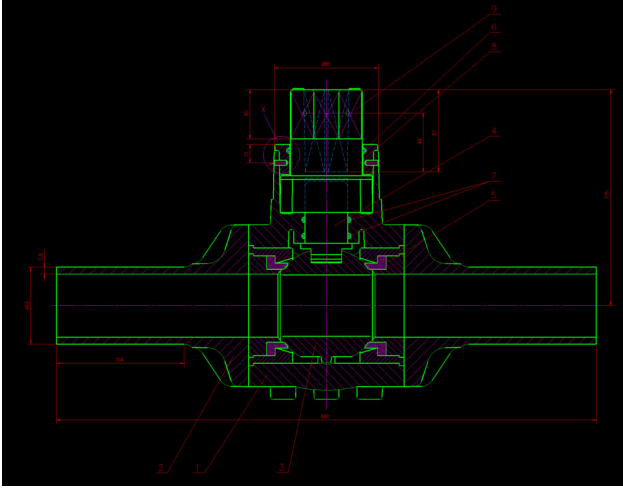


Technology Consultancy for The Production of HDPE Ball Valve 63mm

Description



- Preparation of drawings
- Consultancy for the mold maker
- Detailed drawings of the parts
- Consultancy for the production process
- The plan is for a 63mm full-bore ball valve

Category

1. Technology